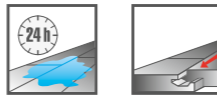


# AQUA AMAZONE

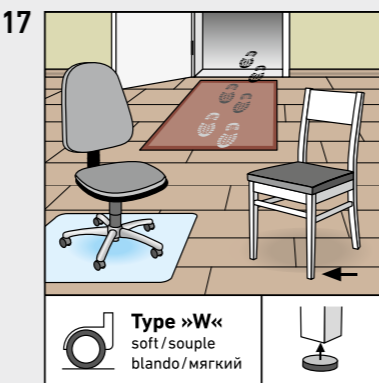
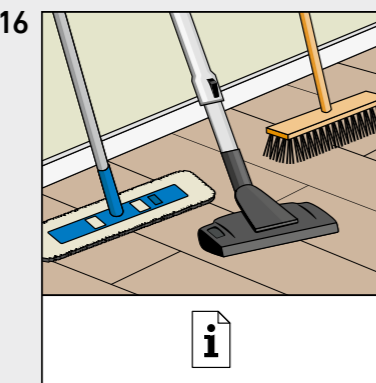
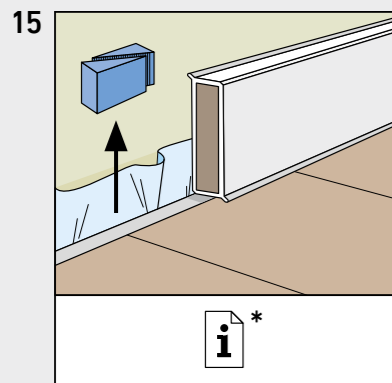
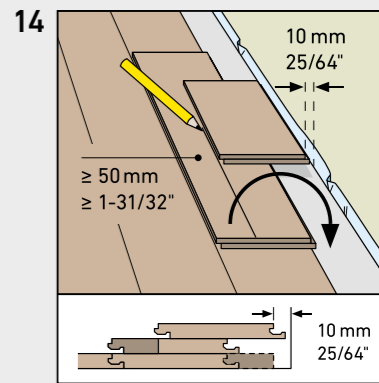
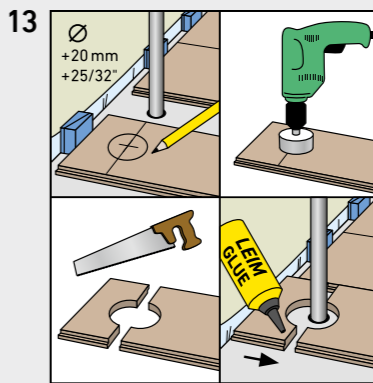
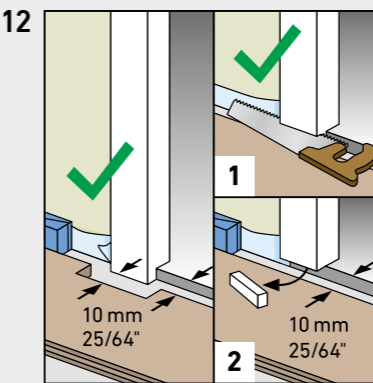
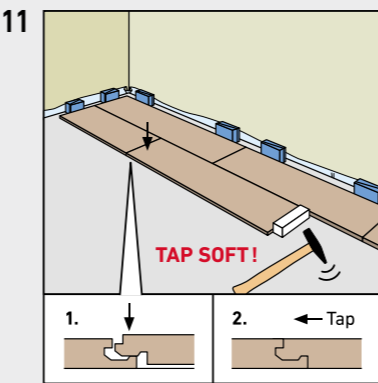
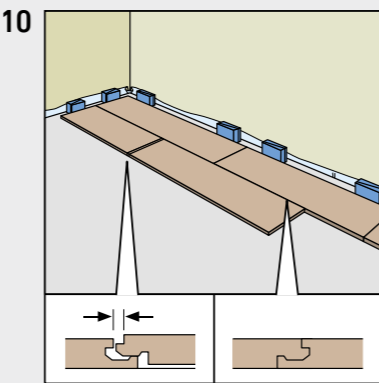
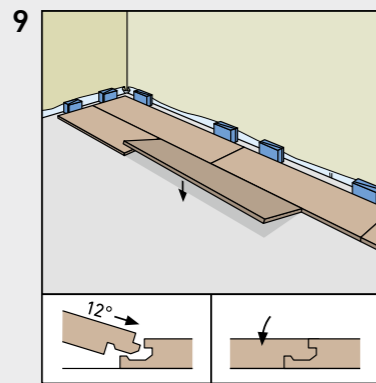
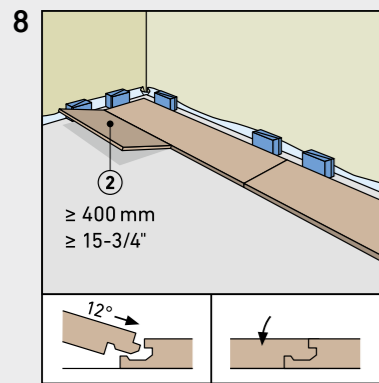
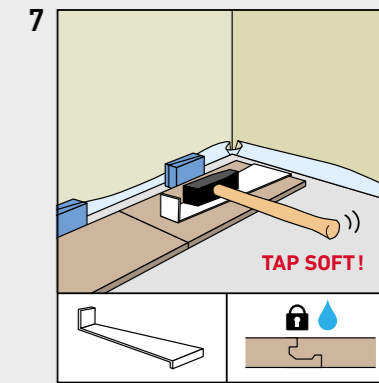
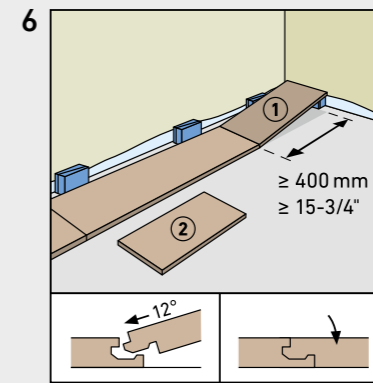
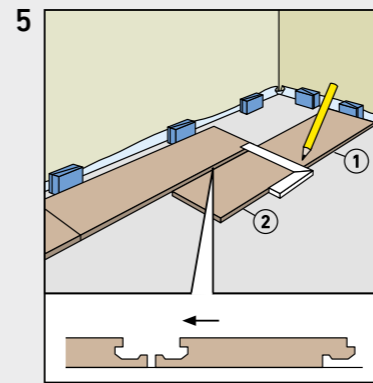
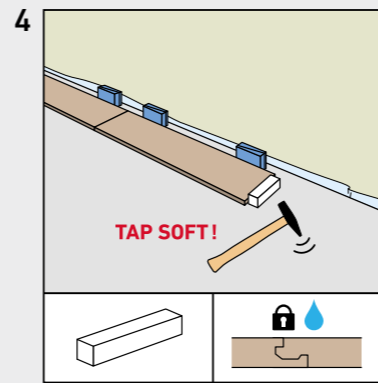
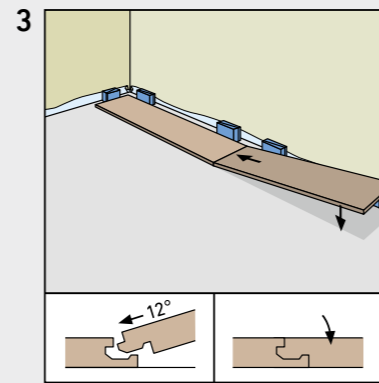
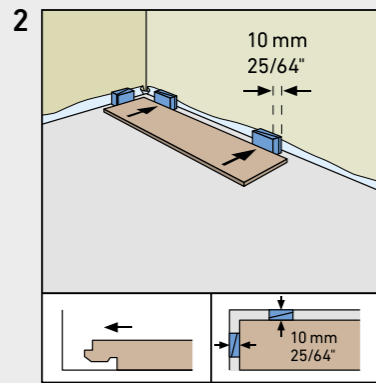
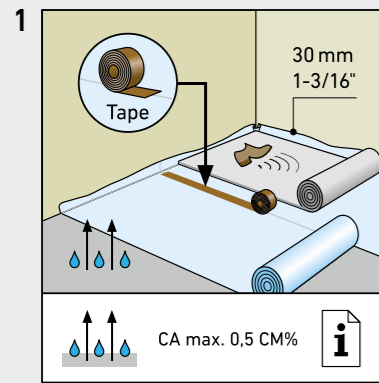
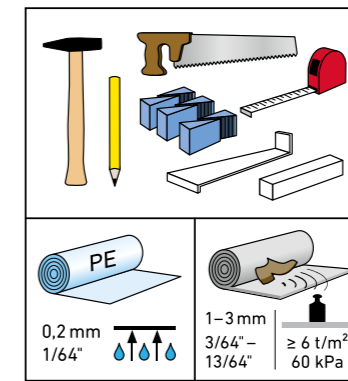
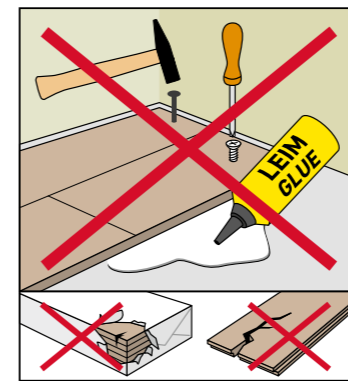
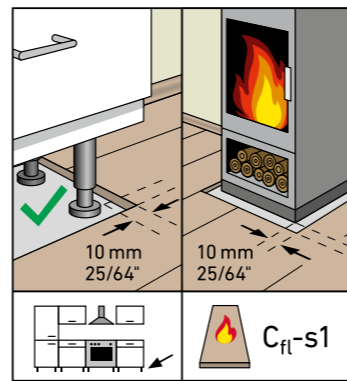
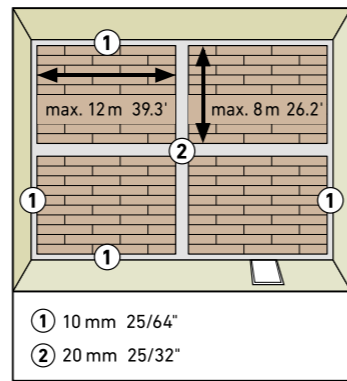
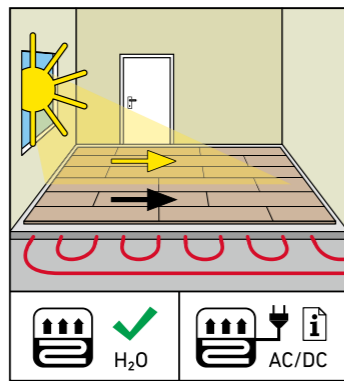
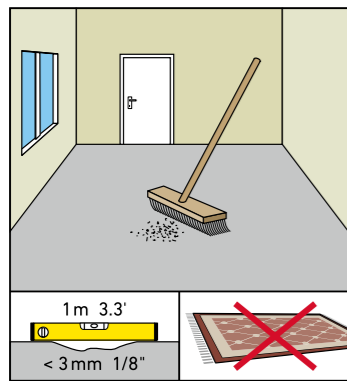


ISO 4760  
surface swell test  
approved for 24 h

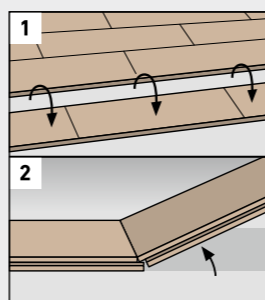


BY SWISS KRONO GROUP

SWISS KRONO TEX GMBH & CO. KG  
Wittstocker Chaussee 1  
D-16909 Heiligengrabe / Germany  
www.swisskrono.com/de



## REMOVAL



\* SKIRTING BOARDS  
AQUA 60 // AQUA 80  
HDF core, white, wrapped with chlorine-free PP/TPE based polyblend with flexible top and bottom soft lips

